

Miscelatore lavello KITCHEN

MODELLO **BA000530**

Miscelatore lavello, bocca girevole, flex inox G.3/8"

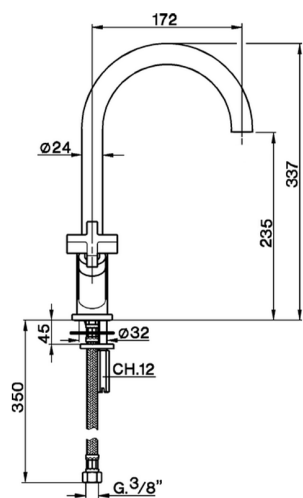
FINITURE DISPONIBILI



21 21 Cromo



2A 2A Nichel Satinato Spazzolato



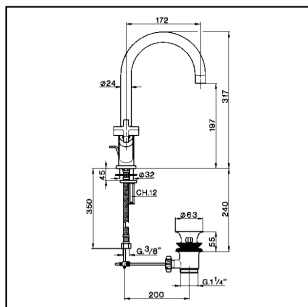
CARATTERISTICHE



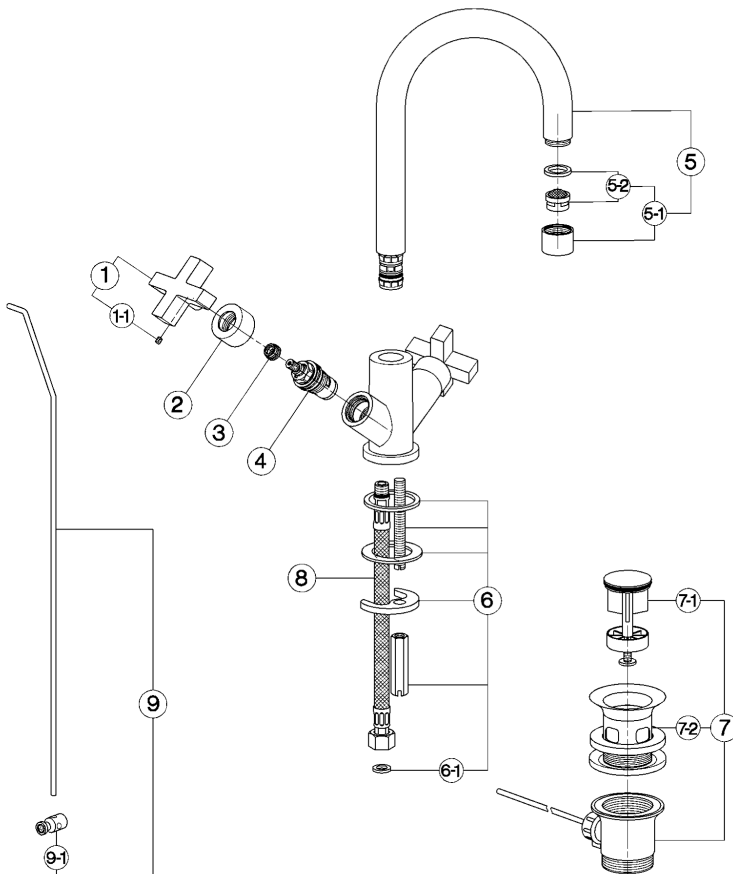
Miscelatore lavello KITCHEN

cisal

BA 00052 (BA 00053)



- Monoforo lavabo
- Single hole basin mixer
- Einloch-Waschtischbatterie
- Mélangeur monotrou lavabo



| bar | PORTATA BOCCA DI EROGAZIONE * SPOUT FLOW RATE DURCHFLOSS WANNENEINLAUF DEBIT BEC DEVERSEUR l/min. |
|-----|---|
| 0.5 | 6 |
| 1 | 8 |
| 2 | 11.5 |
| 3 | 14 |
| 4 | 16 |
| 5 | 18 |

* con resistenza silenziosa della classe di portata A (15 l/min. a 3 bar)
with hydraulic resistance of flow rate class A (15 l/min. at 3 bar)
mit geräuscharmen Widerstand der Durchflussklasse A (15 l/min. bei 3 bar)
avec aérateur classe A (15 l/min. à 3 bar)

| NR. | DESCRIZIONE DESCRIPTION BESCHREIBUNG DESCRIPTION | N. CODICE CODE NO. WERKSNR. NR. CODE | NR. | DESCRIZIONE DESCRIPTION BESCHREIBUNG DESCRIPTION | N. CODICE CODE NO. WERKSNR. NR. CODE | NR. | DESCRIZIONE DESCRIPTION BESCHREIBUNG DESCRIPTION | N. CODICE CODE NO. WERKSNR. NR. CODE |
|-----|--|---|-----|---|---|-----|--|---|
| 1 | Maniglia "BA" per monofori Handle "BA" for single hole mixer Griff "BA" 1/Einloch-Batterie Crosillon "BA" pour mélangeur monotrou | ZZ 93289 0 | 5-1 | Aeratore M.22x1 IA Cascade Mousseur M.22x1 IA Cascade Perlator M.22x1 IA Cascade Mousseur M.22x1 IA Cascade | ZZ 93283 0 | 7-2 | Piletta per scarico automatico 1" 1/4 Waste for bath drain 1" 1/4 Ablauf 1/Ablaufgarnitur 1" 1/4 Crépine pour vidage 1" 1/4 | ZZ 92924 0 |
| 1-1 | Grano punta plana inox M.4x4 Screw-stainless steel M.4x4 Madenschraube M.4x4 Vis speciale inox M.4x4 | ZZ 93328 0 | 5-2 | Cartuccia per aeratore M. 22x1 Cascade Mousseur cartridge M.22x1 Cascade Kart. 1/Perlator M.22x1 Cascade Cartouche x mousseur M.22x1 Cascade | ZZ 93339 0 | 8 | Flessibile M.11x1 3/8" L.365 Flex M.11x1 3/8" L.365 Anschluss Schlauch M.11x1 3/8" L.365 Flex M.11x1 3/8" L.365 | ZZ 92842 0 |
| 2 | Cappuccio cognivitone "BA" Escutcheon "BA" Abdeckklappe "BA" Rosace couvre-tête "BA" | ZZ 93327 0 | 6 | Set installazione monocomando monotrou Installation set single hole Befestigungsset Set installation | ZZ 92899 0 | 9 | Astina scarico completa Ø4 Rod Ø4 Zugstange Ø4 Tige Ø4 | ZZ 93340 0 |
| 3 | Riduzione brocciata completa Complete broached reduction piece Verkürzung Raumwerkzeug komplett Reduktion avec brochage complète | ZZ 93330 0 | 6-1 | Guarnizione fibra 3/8" Gasket rubber 3/8" Fiberdichtung 3/8" Joint en fibre 3/8" | ZZ 92696 0 | 9-1 | Morsello astina scarico automatico Connection for pop-up rod Gelenkstück 1/Zugstange Jonction x tige vidage | ZZ 93343 0 |
| 4 | Vitone ceramico 1/2" DX 90° Ceramic headvalve 1/2" right 90° Keramikoberteil 1/2" - rechts - 90° Tête céram. 1/2" droite 90° | ZZ 92907 0 | 7 | Scarico automatico 1" 1/4 sabbato Pop-up waste 1" 1/4 Ablaufgarnitur 1" 1/4 Vidage automat. 1" 1/4 | ZZ 92754 0 | | | |
| 5 | Canna alta Ø24 interasse 172 Swinging spout 172 Ø24 Auslauf-Rohr-U-172 Ø24 Bec orientable 172 Ø24 | ZZ 93285 0 | 7-1 | Tappo completo scarico automatico 1" 1/4 Plug for pop-up waste 1" 1/4 Stöplon 1/Abfluss, kpl 1" 1/4 Bonde - vidage 1" 1/4 | ZZ 92925 0 | | | |

BA.11

BA000530

<https://www.cisal.it/miscelatore-lavello-kitchenba000530>

2023-08-20